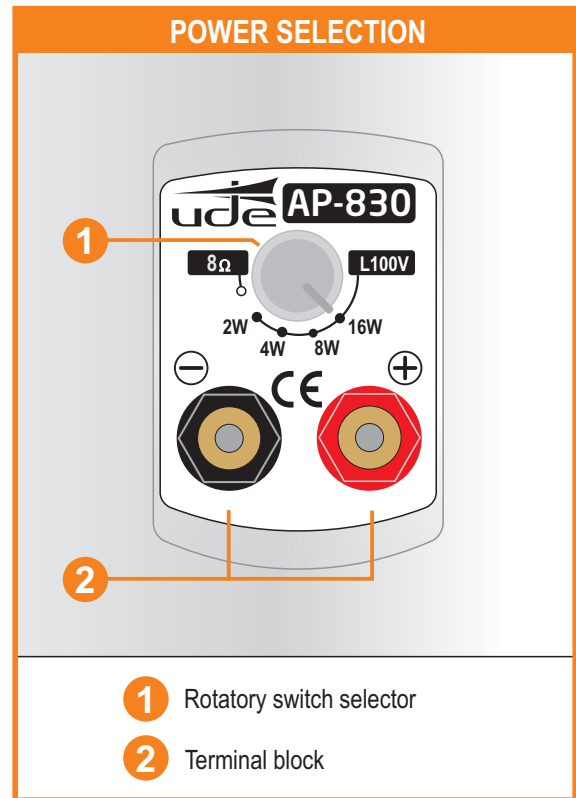
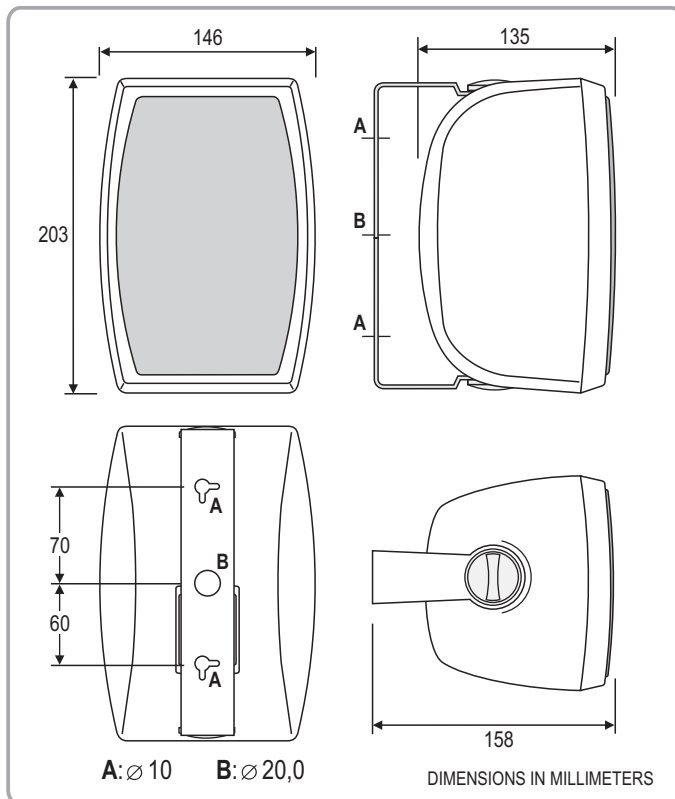


# AP-830

## 2 WAY WALL MOUNT SPEAKER



- 1 Rotatory switch selector
- 2 Terminal block



**2 Ways, weatherproof, wall mount speaker for indoor and outdoor.**

### TECHNICAL FEATURES

- Woofer: 4" (propylene).
- Tweeter: 1" (silk dome).
- Power (8 ohms): 30W. RMS./ 80W. max.
- Power selection: Rotatory switch selector.
- Power (L100V): 16W - 8W - 4W - 2W.
- Wiring: Terminal block.
- Frequency range: 80 Hz - 20 KHz.
- SPL level (1m / 1W / 1 kHz): 88 dB.
- Material: ABS / Aluminium grille.
- Color: White.
- Dimensions: 146 x 203 x 135 mm.
- Weight: 1,890 Kgs.
- Mounting bracket included.
- Installation: Indoor and outdoor



EQUIPOS Y SISTEMAS MEGAFONÍA / INTERCOM • PUBLIC ADDRESS SYSTEMS

UNIÓN DESARROLLOS ELECTRÓNICOS

Tel.: +34 934 772 854 / +34 609 914 787 • ude@udeaudio.com • BARCELONA - SPAIN



[www.udeaudio.com](http://www.udeaudio.com)

rev.0 610.519A 1 / 1