

PZ-1000A / WZ-1000A



Advisory panel with area selection
Switching and connection module



The **PZ-1000A digital desk** can provide ads per selective areas and general announcements. It works in conjunction with the **module WZ-1000A**.

It can handle from 1 to 30 WZ-1000A selectors areas with a maximum of 300 zones. It is also possible to use up to 16 PZ-1000A desks in the same system.

The various elements are interconnected via an FTP cable bus (CAT 5E minimum), providing a flexible, reliable and easy-to-use system. Main characteristics are:

- Digital display.
- Zone selection buttons.
- Management selectors PZ-1000A modules.
- Easy integration with the GD-36 / GD-37 and GD-1000 digital player/recorder.
- LED driver status.
- Notice carillon.
- Microphone volume and chime adjustment.
- Auxiliary input signal.
- Auxiliary output signal.
- Maximum distance from panel to switch: 1000 m.
- Power supply 24 Vdc.

The **10-zone switching module WZ-1000A** with music selection and announcements can be operated either autonomously or by bus, managed by the **PZ-1000A desk**.

It integrates mixer with microphone inputs, line and chime notice. The system allows a maximum of 30 WZ-1000A modules (up to a maximum of 300 zones). By two power amplifiers, can stream music and announcements selective. Main characteristics are:

- Maximum distance to desk center: 1000m.
- Memory selection of areas of non volatile music.
- Maximum power-line speaker: 500 W.
- Status indication by LED drivers zones of two colors: green for music, red for ads.
- Oscillator with two microphone inputs dynamic unbalanced.
- Two-line inputs direct to mixer.

The different elements are interconnected via a FTP bus cable, providing a flexible, reliable and easy to use.



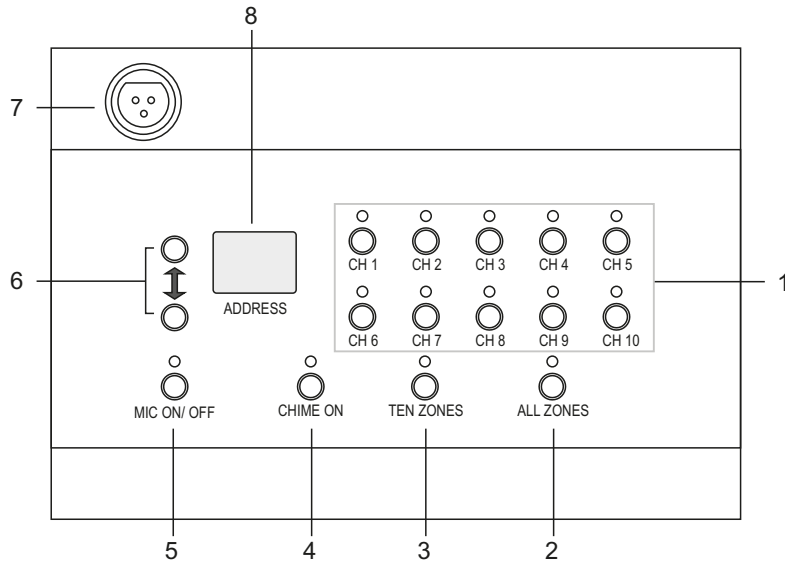
EQUIPOS Y SISTEMAS MEGAFONÍA/INTERCOM • PUBLIC ADDRESS SYSTEMS
UNIÓN DESARROLLOS ELECTRÓNICOS

Tel.: +34 934 772 854 / +34 609 914 787 • ude@udeaudio.com • BARCELONA - SPAIN

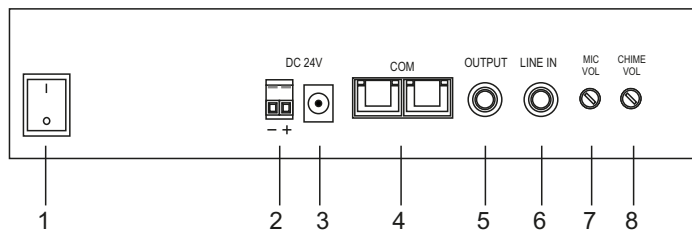
www.udeaudio.com

rev. 5 | 610.490a | 1 / 8

PZ-1000A. Announcements with selection areas



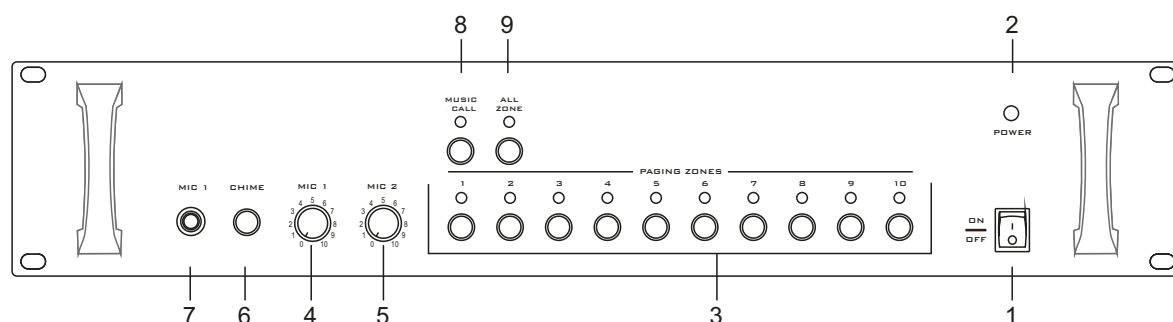
- ① LED Button
SELECTED AREA
- ② LED button
GENERAL NOTICE ACTIVATION
- ③ LED button
10 ZONES ACTIVATION
- ④ LED button
CARILLON ACTIVATION
- ⑤ LED button
TALK - Microphone ON / OFF
- ⑥ SWITCHES STEERING WZ-1000A.
- ⑦ Connector XLR - Micro desk
- ⑧ Alphanumeric display
WZ-1000A indicator selected



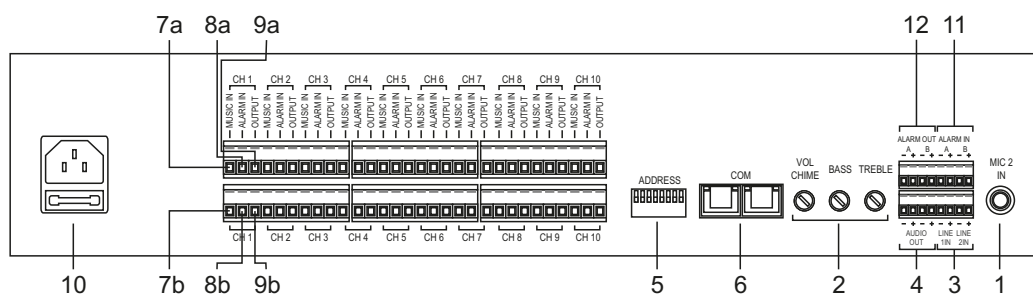
- ① Power switch ON / OFF
- ② 24 VDC power input terminals
- ③ 24 VDC power input connector
- ④ BUS communication port
- ⑤ Auxiliary output signal
- ⑥ Auxiliary input signal
- ⑦ Microphone volume
- ⑧ Chime volume

Model:	PZ-1000A
Output:	Unbalanced.
Microphone input (not balanced):	10 mV./ 600Ω.
Line input (not balanced):	350 mV./ 10KΩ.
Bandwidth MICRO:	from 100 Hz. to 15 Khz.
Bandwidth LINE:	from 80 Hz. to 16 Khz.
Crosstalk input MICRO:	80 dB.
Croostalk input LINE:	90 dB.
Power source:	Power supplied 230VAC / 24 VDC.
Consumption:	10 W.
Dimensions:	245x144x50 mm.
Weight:	1,25 Kgs.

WZ-1000A. Switching and connection module



- ① Power On.
- ② Power light.
- ③ Selectors with LED SELECTED AREAS
- ④ Volume Micro 1
- ⑤ Volume Micro 2
- ⑥ CHIME selector
- ⑦ Mic 1 input (Jack)
- ⑧ Selectors with LED MUSIC / ANNOUNCEMENTS
- ⑨ Selectors with LED SELECTION GENERAL AREAS



- ① Mic 2 input (Jack).
- ② Chime volume.
- ③ Alarm signal input LINE 1 and LINE 2
- ④ AUDIO output
- ⑤ CHIME selector DIRECTION
- ⑥ BUS communication port
- ⑦a Input (-) music ZONE 1
- ⑦b Input (+) music ZONE 1
- ⑧a Input (-) ads ZONE 1
- ⑧b Input (+) ads ZONE 1
- ⑨a Outputs (-) speaker line ZONE 1 (*A)
Outputs (-) signal ZONE 1 (*B)
- ⑨b Output (+) speaker line ZONE 1 (*A)
Output (+) signal ZONE 1 (*B)
- ⑩ 230 VAC power input
- ⑪ Remote Control input
Alarm signal LINE 1 and LINE 2
- ⑫ Remote Control output
Alarm signal LINE 1 and LINE 2

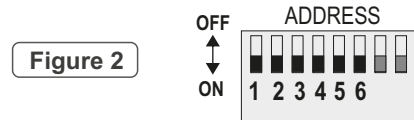
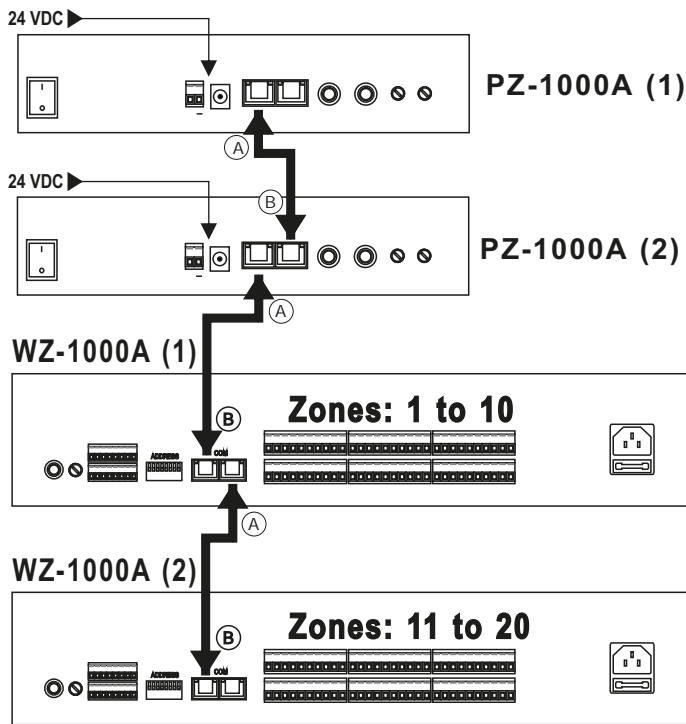
(*A) Connection mode: output line 100V

(*B) Connection mode: output signal 0 dB

Model:	WZ-1000
Output:	Unbalanced - 750mV.
2 microphone inputs (not balanced):	1,8 mV./ 600Ω .
2 line inputs (not balanced):	200 mV./ 10KΩ .
Bandwidth MICRO:	from 100 Hz. to 15 KHz.
Bandwidth LINE:	from 20 Hz. to 18 KHz.
Crosstalk input MICRO:	80 dB.
Crosstalk input LINE:	90 dB.
Power source:	230 VAC.
Consumption:	40 W.
Dimensions:	484x350x88 mm.
Weight:	4,60 Kgs.

Priorities (work by modulating Vox):
The microphone input has priority over a microphone 2, line 2 and remote PZ-1000A desk.
The input Line 1 has priority over a microphone, microphone 2, line 2 and remote PZ-1000A desk.

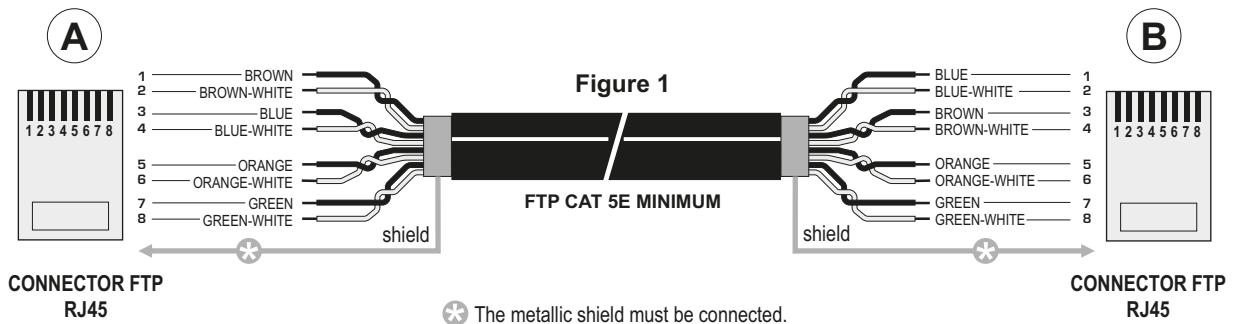
PZ-1000A / WZ-1000A Connection



N° WZ-1000A	ZONES	MICROSWITCH POSITION					
		1	2	3	4	5	6
1	1 a 10	ON	ON	ON	ON	ON	OFF
2	11 a 20	OFF	ON	ON	ON	ON	OFF
3	21 a 30	ON	OFF	ON	ON	ON	OFF
4	31 a 40	OFF	OFF	ON	ON	ON	OFF
5	41 a 50	ON	ON	OFF	ON	ON	OFF
6	51 a 60	OFF	ON	OFF	ON	ON	OFF
7	61 a 70	ON	OFF	OFF	ON	ON	OFF
8	71 a 80	OFF	OFF	OFF	ON	ON	OFF
9	81 a 90	ON	ON	ON	OFF	ON	OFF
10	91 a 100	OFF	ON	ON	OFF	ON	OFF
11	100 a 110	ON	OFF	ON	OFF	ON	OFF
12	111 a 120	OFF	OFF	ON	OFF	ON	OFF
13	121 a 130	ON	ON	OFF	OFF	ON	OFF
14	131 a 140	OFF	ON	OFF	OFF	ON	OFF
15	141 a 150	ON	OFF	OFF	OFF	ON	OFF
16	151 a 160	OFF	ON	ON	ON	ON	OFF
17	161 a 170	ON	ON	ON	ON	OFF	OFF
18	171 a 180	OFF	ON	ON	ON	OFF	OFF
19	181 a 190	ON	OFF	ON	ON	OFF	OFF
20	191 a 200	OFF	OFF	ON	ON	OFF	OFF
21	200 a 210	ON	ON	OFF	ON	OFF	OFF
22	211 a 220	OFF	ON	OFF	ON	OFF	OFF
23	221 a 230	ON	ON	OFF	ON	OFF	OFF
24	231 a 240	OFF	OFF	OFF	ON	OFF	OFF
25	241 a 250	ON	ON	ON	OFF	OFF	OFF
26	251 a 260	OFF	ON	ON	OFF	OFF	OFF
27	261 a 270	ON	OFF	ON	OFF	OFF	OFF
28	271 a 280	OFF	ON	ON	OFF	OFF	OFF
29	281 a 290	ON	ON	OFF	OFF	OFF	OFF
30	291 a 300	OFF	ON	OFF	OFF	OFF	OFF

To integrate with the GD-36 / GD-37 message system, microswitch No. 6 must be in the OFF position.

To integrate with the GD-1000 message system, microswitch No. 6 must be in the ON position.



PZ-1000A / WZ-1000A Installation

Connect the PZ-1000A desks modules and WZ-1000A bus cable FTP CAT 5E minimum. Attention to the connection of RJ45 connectors (see Figure 1).

Connect 24 Vdc power supply included with each desk.

OFF switches march.

Microphone volume and chime halfway.

Connect the modules with WZ-1000A wholes corresponding elements (see TYPICAL CONNECTION).

Configuration module WZ-1000A, assigning the identification number of buses by the microswitches on the rear panel, as Figure 2 (address code setting).

- WZ-1000A number 1: zones 1 to 10
- WZ-1000A number 2: zones 11 to 20
- WZ-1000A number 3: zones 21 to 30

....

Identifier configuration PZ-1000A

Configure the identifiers of each PZ-1000A desk (from 1 to 16).
Each PZ-1000A must have a different identifier on the bus.

Procedure:

Power switch in OFF

Hold the selector NOTICE GENERAL (ALLAREAS) is activated during the switch to start position.

The display shows "Ad". Release the button GENERAL NOTICE.

Operate SWITCHES STEERING (up / down) until the display shows the required ID number (example 2).

Validate the identifier by pressing GENERAL NOTICE.

Turn the switch off, and 5 seconds later, put another time in ON.

Whenever you set up the desk, the display shows quickly the identification number (in this case 0.2) and then putting the last address previously selected.

And configure each console system with its corresponding identifier.

PZ-1000A Use

TO GIVE NOTICE

Example 1: We want to give a notice to number 5.

1. By SWITCHES STEERING select the number 1 (WZ-1000A no. 1 module) which belong to zone 5.
2. By the ZONE SELECT button activate the zone 5. The corresponding LED driver is activated fixed. In zone 5 the music is off (if it was enabled). In all other areas not selected, the music continues.
3. CHIME OF NOTICE: Press the corresponding button (CHIME ON). The associated LED lights the chime sounds in the selected area.
4. NOTICE: By the button (MIC ON / OFF), turn on the microphone. The pilot lights. Give the notice. At the end, turn off the microphone by pressing button (MIC ON / OFF). Defuse the ZONE SELECTOR number 5. The pilot zone 5 LED turns off.

Example 2: Notice to zones 1 to 10

Proceed as in the previous section, but by selecting the 10 ACTIVATION AREAS (TEN AREAS).
The 10 areas are activated simultaneously.

Example 3: Notice to zones 5, 15 and 20:

1. By SWITCHES STEERING select the number 1 (WZ-1000A no. 1 module) which belong to zone 5.
2. Activate by the ZONE SELECT button the zone 5. The corresponding LED driver is activated fixed.
3. By SWITCHES STEERING select the number 2 (WZ-1000A no. 2 module) that belong to areas 15 and 20.
4. By the ZONE SELECT button activate areas 5 and 10. The corresponding LED drivers are activated fixed. In areas 5, 15 and 20 the music is off (if it was enabled). In all other areas not selected, the music continues
5. CHIME OF NOTICE: Press the corresponding button (CHIME ON). The associated LED lights while the chime sounds in the selected area.
6. NOTICE: By the button (MIC ON / OFF), turn the microphone. The pilot lights. Give the notice. At the end, turn the microphone back on el pressing button (MIC ON / OFF). Defuse the SELECTOR AREA Number 5, 15 and 20 and in reverse order of selection.

GENERAL NOTICE:

By selecting the GENERAL NOTICE (ALLAREAS) all areas of the system are activated at a time. At the end of the notice, deselect the GENERAL NOTICE.

Note: Selecting and Deselecting NOTICE, erase all current selections possible.

PRIORITIES:

Manual selection in the module areas WZ-1000A has priority on the desks PZ-1000A.

When there is more of one desk in the PZ-1000A system, must consider the following:

PZ-1000A consoles have the same priority among themselves. The first that select a zone takes control of the system until is deselected.

If a desk PZ-1000A tries to select a certain area, while another is a function, the LEDs light up quickly and deactivate.

If a desk PZ-1000A seeking access to nonexistent package, the LEDs flash slowly and deactivate.

WZ-1000A Use

1. SELECTION OF MUSIC ZONES:

By the selector MUSIC / EVENTS (MUSIC / CALL) with the corresponding driver in green, select the buttons SELECTORS ZONE (ZONE PAGING), or areas you want the music.

Green pilot light: area with music.

Green pilot disabled: an area without music.

The selector GENERALAREAS (ALLAREAS) can also select / deselect all areas of music at once.

2. ANNOUNCEMENTS BY THE ENACTMENT OF THE WZ-1000A DESK:

SELECTING ADVERTISEMENTS: Operate the selector MUSIC / ANNOUNCEMENTS; the red driver. Or select the areas you want to enact the announcement by the ZONE SELECTORS, or with the GENERAL selector. The selected areas turn red (If there's selected music in the area, in orange).

At the end of the notice, deselect areas review and carry out the inverse of the selection.

The promulgation of the GENERAL notice in the WZ-1000A module affects only the 10 areas of this module.

In addition the selection in local mode is possible to control the PZ-1000A desk. The selections and actions in the WZ-1000A desk take precedence over affected from the desk PZ-1000A.

3. ANNOUNCEMENTS THROUGH PZ-1000 DESK: See use PZ-1000A desk.

4. SPECIAL ALARM FEATURES:

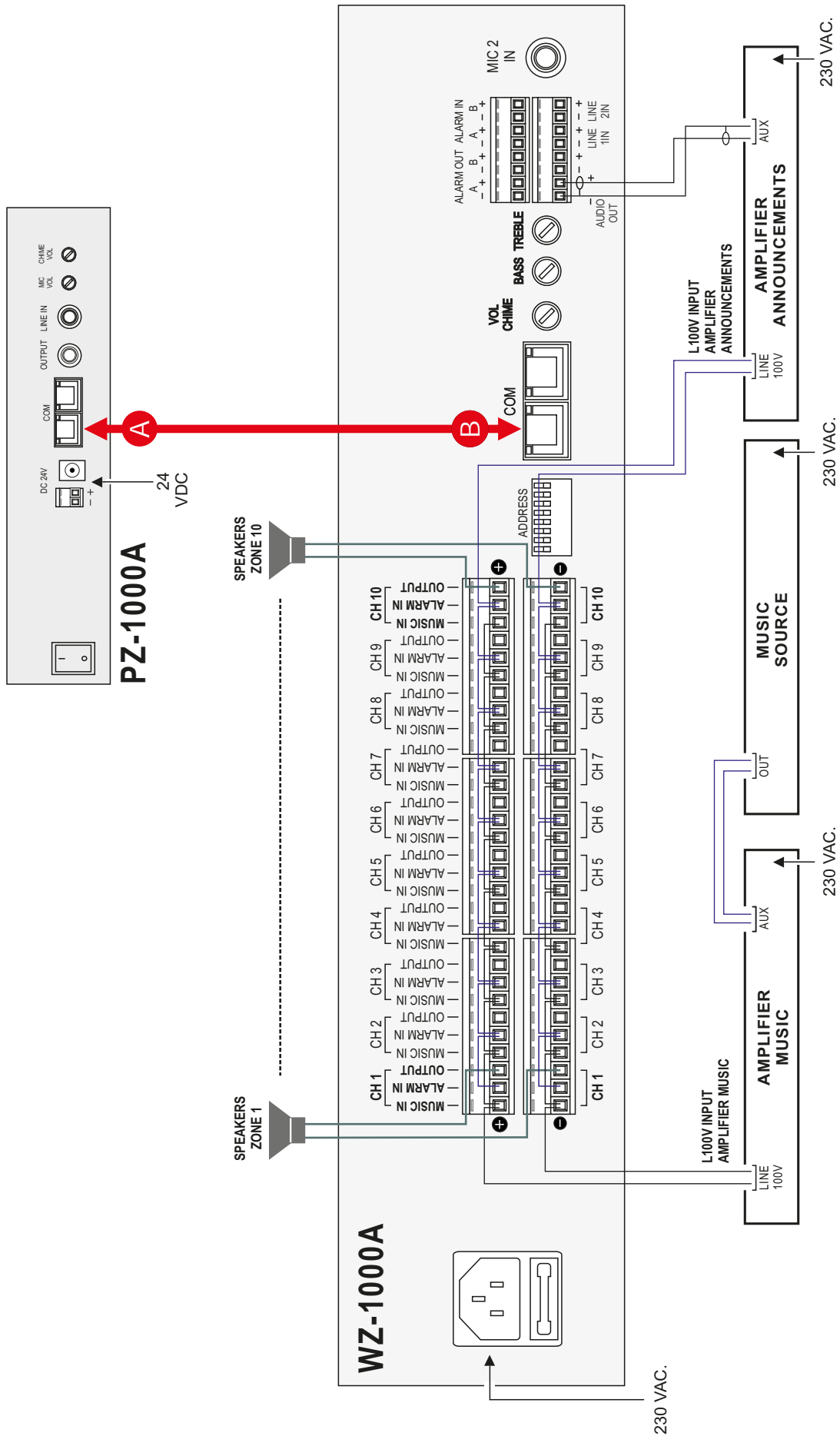
For the GD-36 / GD-37 digital recorder / player the DIP switch number 6 must be in OFF position in order to enable the special alarm features. ON position for GD-1000 message generator.

When the A or B input is triggered, with a close contact, all the WZ-1000A zones would be connected to the alarm amplifier. In the front panel will flash on in red or orange.

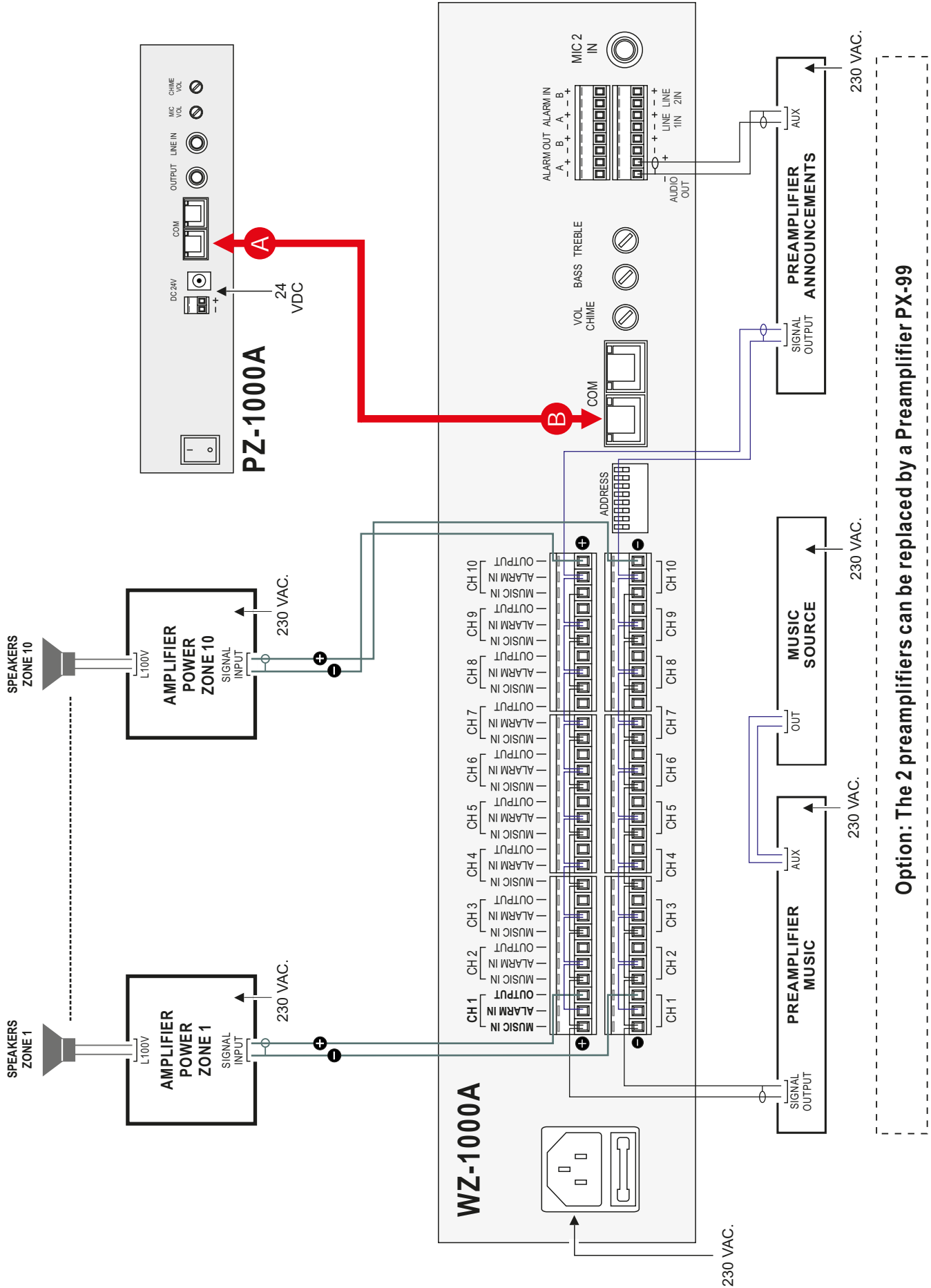
At the same time alarm OUT A/B of all WZ-1000A connected on the system will close free voltage contact.

An instant reset could be done, pushing the all zone button, realizing all zones system (in case more than one WZ-1000A is installed).

Typical connection (L100V output)



Typical connection (0dB output signal)



Option: The 2 preamplifiers can be replaced by a Preamplifier PX-99