

UW-25A

Power supply (13,8VDC)



TECHNICAL DATA

- Switched-mode power supply.
- Short circuit protection (SCP).
- Overpower protection (OPP).
- Line filter incorporated.
- DIN rail mounting.
- High efficiency
- LED indicator for power ON

DESCRIPTION

The UW-25A power supplies are built-in units and must be mounted in box or control cabinet with a mounting DIN rail system fixed inside the box. All power supply sides must have a clearance of at least 30mm space for cooling.

Input connection AC with rated voltages of 100V-240V / 50/60Hz. Output connection +13.8 V DC Voltage / 5A, isolated, Short-circuit-proof.

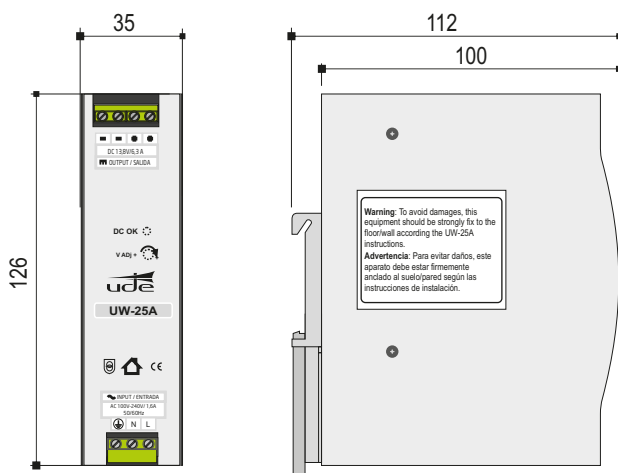
Specifications at rated input voltage and ambient temperature +25 °C (unless otherwise specified)

INSTALLATION

- When a UDECOM system uses more than one power supply (UW-25A), all neutral input should be interconnected.
- All UW-25A power supply should be in the same electrical installation (230VAC).
- Do not block the cooling system due the normal convection. All sides 30mm free space for cooling is recommended.
- The device must be mounted in such a way the input terminals must be placed at the bottom and the output terminals must be place at the top.
- Snaps onto DIN rail EN 60715 35x7.5/15

SAFETY PRECAUTIONS

- Do not expose the unit to rain, an environment where it may be splashed by water or other liquids. Do not place cups, bowls or other liquid containers on the equipment.
- Connect equipment to a safety ground (earth).
- Fix the power supply with a standard rail DIN, avoid installing or mounting the unit in unstable locations.
- Installation should accomplish with all local, regional and national regulations according the country where it is installed.
- Setup and operation of this device are permitted only if the instructions and warnings of the corresponding documentation are observed.
- Only qualified personnel are allowed to install the device and set it into operation.



Warning: To avoid damages, this equipment should be strongly fix to the floor/wall according the UW-25A instructions.



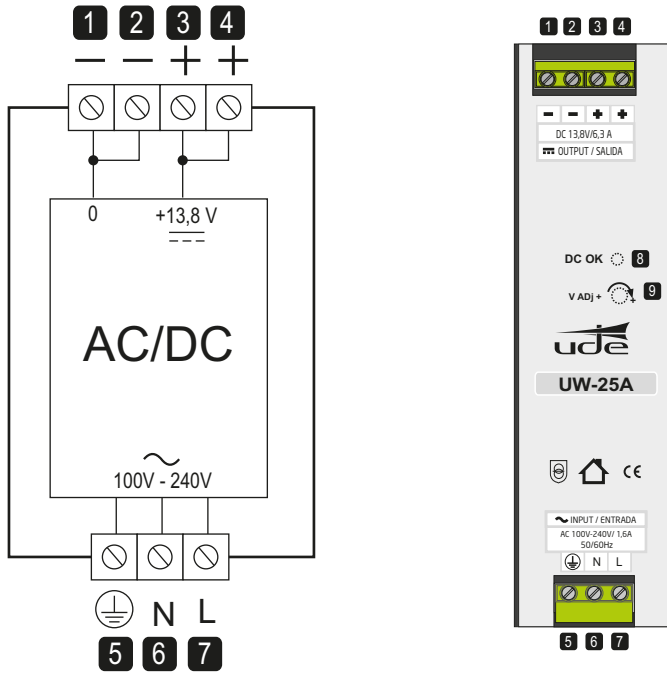
EQUIPOS Y SISTEMAS MEGAFONÍA / INTERCOM • PUBLIC ADDRESS SYSTEMS
UNIÓN DESARROLLOS ELECTRÓNICOS

Tel.: +34 934 772 854 / +34 609 914 787 • ude@udeaudio.com • BARCELONA - SPAIN

www.udeaudio.com

rev.0 | 610.416A | 1 / 2

BLOCK DIAGRAM



PIN ASSIGNMENT

Pin No.	Designation	Description
1	-	Negative output terminal
2	-	Negative output terminal
3	+	Positive output terminal
4	+	Positive output terminal
5	⊕	GND Ground terminal
6	N	Neutral input
7	L	Phase input
8	DC ON	ON DC ready indicator
9	V Adj	Voltage adjustment

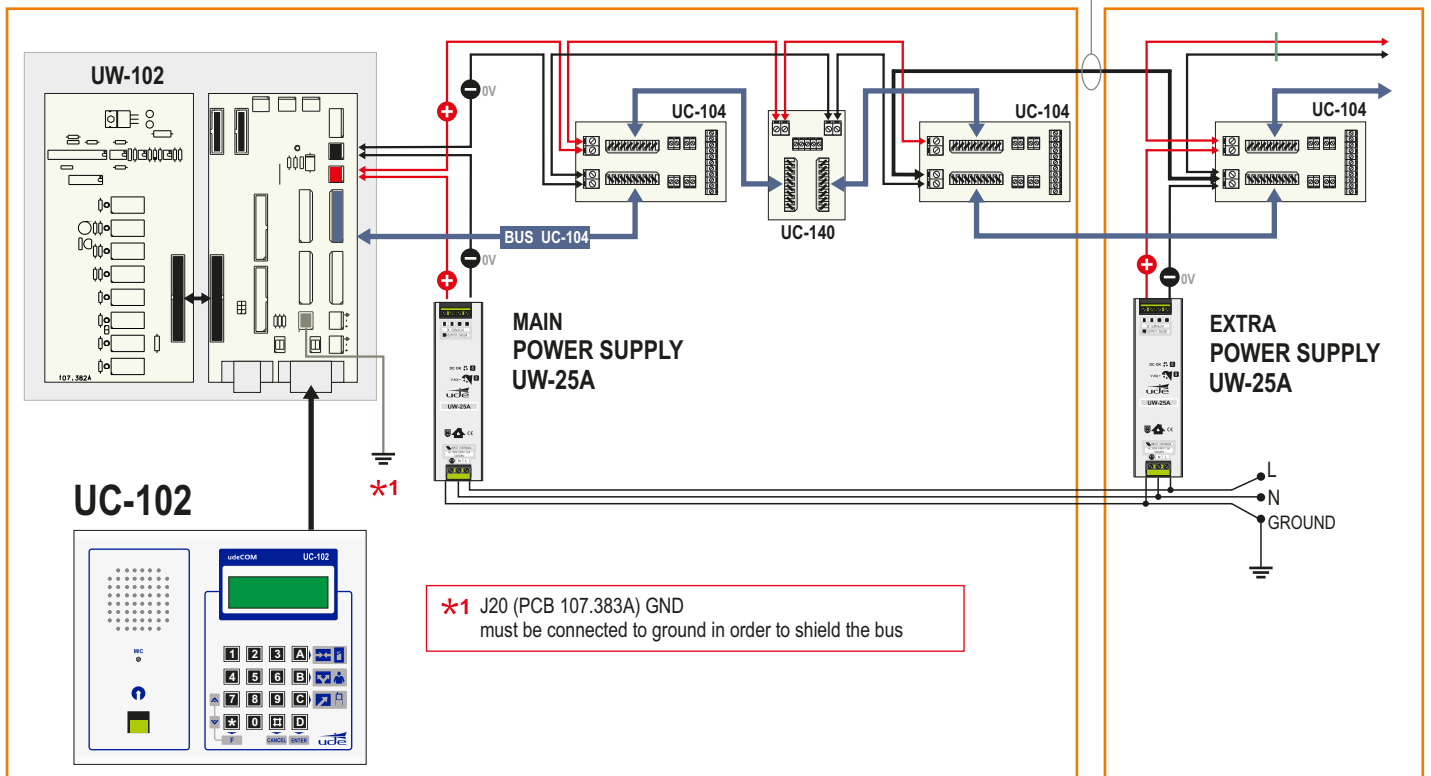
GENERAL SYSTEM DATA

NUMBER OF POWER SUPPLIED EQUIPMENTS		
MAIN POWER SUPPLY	INTERCOMMUNICATION	INTERCOMMUNICATION PUBLIC ADDRESS
UC-102	1	1
UW-18	1	1
UC-104 / UC-140	70	45
Max. output DC current	3,03 A	3,87 A

NUMBER OF POWER SUPPLIED EQUIPMENTS		
EXTRA POWER SUPPLY	INTERCOMMUNICATION	INTERCOMMUNICATION PUBLIC ADDRESS
UC-104 / UC-140	80	48
Max. output DC current	2,96 A	3,71 A

INSTALLATION DIAGRAM

*2 When the installation has many power supplies all 0V plugs of each UW-25A must be interconnected.



*1 J20 (PCB 107.383A) GND must be connected to ground in order to shield the bus

*3 For more information see UDECOM technical instructions