



Main features

- Bed call system specially designed for **ICU COVID-19**.
- **Quick and easy to install system.**
- The modules can be mounted in recessed format, or in surface format, which **allows temporary installations** to be carried out in a simple and easily removable way.
- **Individual call signaling per bed.**
- Optionally, **reception of calls to a DECT telephone** (not included).

Description

The UDECOM-ICU system has been specially designed for use in temporary or permanent ICUs for the treatment of critical patients and COVID-19 patients.

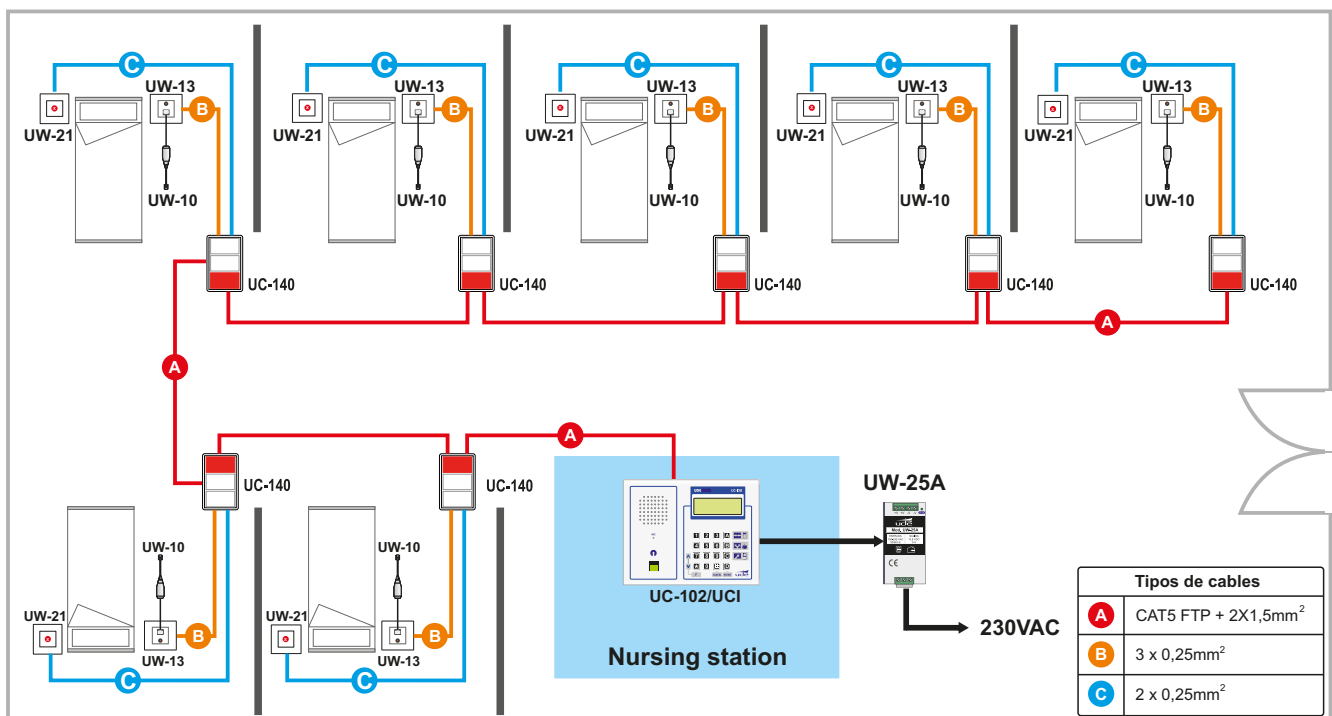
Its design allows a very simple installation, with low-cost wiring, in BUS typology.

Its installation is quick, and the call and cancellation mechanisms allow it to be installed in a recessed universal box, in surface format or in hospital headboards.

Calls are signaled independently by bed, and these are indicated by an alphanumeric display and a discreet sound in the nursing station, and optionally through a DECT telephone (not included).

The maximum capacity per nursing station is 20 differentiated beds.

Connection diagram



Order References

- UC-102/UCI** Microprocessed nursing central unit
- UC-140** Optical call signaling, connection and communication module
- UW-13** Bed Call Module
- Hand call** Push button with 1.7m cable and connector
- UW-21** Call Cancel Button
- UW.25A** Power supply
- UW-84** Surface box for UC-140
- UW-82** Surface box for UW-13 and UW-21