

# RC03

## 4K UHD Box Camera



RC03 is equipped with 4K Sensor and lens to achieve high-definition e-PTZ. Built-in advanced image recognition and tracking algorithm to achieve a smooth and natural tracking effect without any extra positioning camera or tracking host. Different lenses are used to achieve teacher tracking or student tracking.

# Main Features

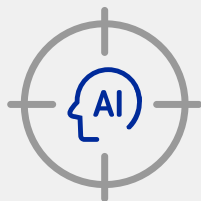
## Use different lens angles for teachers or students tracking to better achieve smooth recording

42° lens with auto focus is used on teacher tracking camera, which can better capture the teacher's handwriting on the blackboard. low distortion lens is used on student tracking camera, horizontal field of view is up to 95° to capture the complete classroom scene. Also support EPTZ, which can be seen more clearly when zoom in.



## Intelligent teaching tracking for better teaching recording

Built-in advanced image recognition and tracking algorithm to achieve a smooth and natural tracking effect without any extra positioning camera or tracking host. Different lenses are used to achieve teacher tracking or student tracking.



## 2D & 3D noise reduction, image maintains clean and clear under low illumination

New CMOS image sensor with ultra-high SNR can effectively reduce the image noise under low illumination. Meanwhile, the application of 2D and 3D noise reduction algorithms dramatically reduces image noise. The image maintains clean and clear even under ultra-low light illumination. The SNR of the image is as high as 55dB or above.



## Support interleaving mode, output panorama and close-up signals simultaneously

Single camera and single SDI interface can output panorama and close-up signals simultaneously.

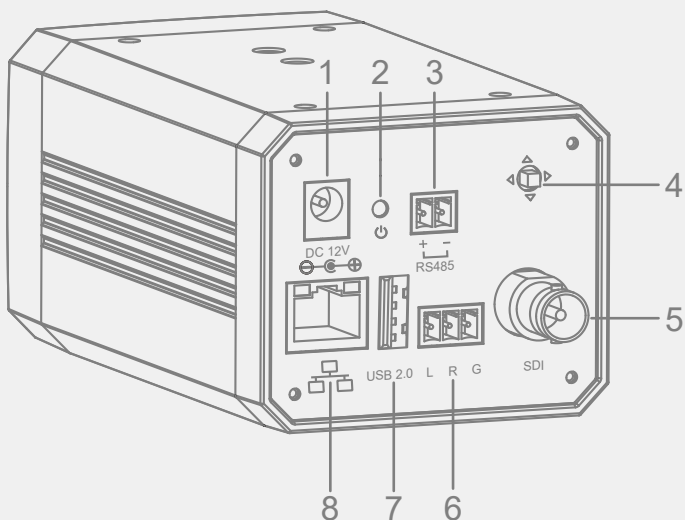
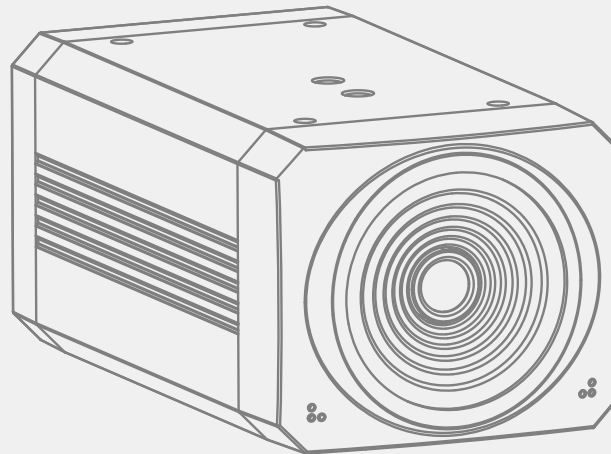
SDI

## Support POC and POE, three-in-one to reduce wiring

Support POC (Power Over Cable) and POE (Power Over Ethernet), one cable for power supply, video and audio, reducing wiring and facilitating deployment.

PoE

## Appearance and Interface



- 1.DC 12V Interface
- 2.Power Indicator
- 3.RS485 Interface
- 4.Menu Button

- 5.SDI Interface
- 6.LINE IN Interface
- 7.USB 2.0 Interface
- 8.Network Interface

# Product Specifications

Camera	
Sensor	1/2.8", CMOS, Effective Pixel: 8.46M
Scanning Mode	Progressive
Lens Mount	M12
Lens 1 (teacher)	Focus: f=7.2mm, HFOV: 42°
Lens 2 (student)	Focus: f=2.8mm, HFOV: 95°
Minimal Illumination	0.5 Lux @ (F1.8, AGC ON)
Shutter	1/30s ~ 1/10000s
White Balance	Auto, Indoor, Outdoor, One Push, Manual, Specified color temperature
Digital Noise Reduction	2D&3D Digital Noise Reduction
Backlight Compensation	≥55dB
EPTZ	Support
Autofocus	Teacher mode support
Digital zoom	8X
PoE	Support
Lens 1 / 2	Teacher mode / Student mode
Network Features	
Video Compression	H.264 / MJPEG
Video Stream	The first, second, third, fourth stream
The First Stream	1920x1080, 1280x720, 1024x576, 960x540, 640x480, 640x360, 320x240, 320x180
The Second Stream	3840x2160, 1920x1080, 1920x1080, 1280x720, 1024x576, 720x576(50Hz), 720x480(60Hz), 720x408, 640x360, 480x270
The Third Stream	1920x1080, 1280x720, 1024x576, 960x540, 720x576(50Hz), 720x480(60Hz), 720x408, 640x360, 480x270, 320x240, 320x180
The Fourth Stream	1024x576, 960x540, 720x576(50Hz), 720x480(60Hz), 720x408, 640x360, 480x270, 320x240, 320x180
Video Bit Rate	32Kbps ~ 16384Kbps
Bit Rate Type	Variable Rate, Fixed Rate
Frame Rate	30fps
Audio Compression	AAC/G711A
Audio Bit Rate	96Kbps, 128Kbps
Support protocols	TCP/IP, HTTP, RTSP, RTMP, Onvif, DHCP, 28181, Multicast, etc.

General specification	
Input Voltage	DC 12V / PoE (IEEE802.3af) / PoC
Current Consumption	0.5A(Max)
Operating Temperature	-10°C ~ 40°C
Storage Temperature	-40°C ~ 60°C
Power Consumption	6W(Max)
Size	72mm x 60mm x 130mm (not include the protruding part)
Net Weight	0.37kg
MTBF	>30000h
Input/Output Interface	
HD Output	1x3G-SDI: BNC type, 800mVp-p, 75Ω, Along to SMPTE 424M standard, Support PoC
USB Interface	1xUSB2.0: Type A
Network Interface	1xRJ45: 10M/100M/1000M Ethernet Interface, PoE Support
Audio Interface	1x line in: 3pin Phoenix Port
Audio Interface	1xRS485: 2pin Phoenix Port, Max Distance: 1200m, Protocol: VISCA/Pelco-D/Pelco-P
Power Jack	DC005 type (DC 12V)

## ROCWARE

**ROCWARE CORPORATION**

**Web :** [www.rocware.com](http://www.rocware.com)

**TEL :** +86-755-23309418

**Address :** 3F, No.2 Building, Honghui Industrial Park, Baoan District, Shenzhen, China

**Mail :** [rocware@rocware.net](mailto:rocware@rocware.net)

Rocware reserves right of final interpretation for this catalogue.