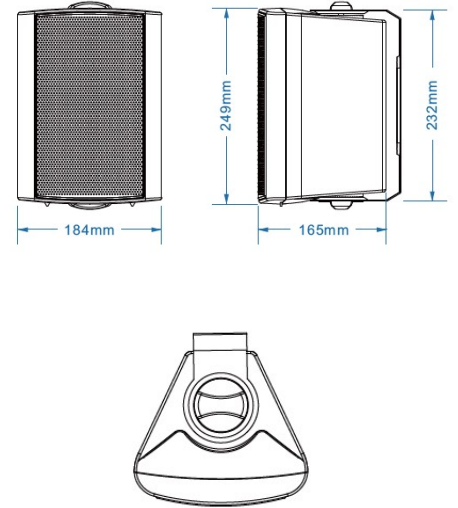


NX-621A

Indoor Fashion Wall-mounted speaker



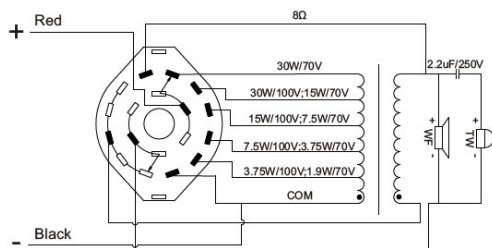
NX-621A is a 30W wall-mounted speaker with exquisite appearance, simple structure and very convenient installation.

While providing high-quality sound quality, it can meet the decoration requirements of various use occasions. It is suitable for playing voice and music in shopping malls, schools, meeting rooms, hotels and restaurants.

Features

- Superb audio and music reproduction performance
- High-strength HIPS material
- Lower maintenance cost
- Quick and easy installation
- CE compliant

Circuit Diagram



Specification

- Rated Power: 30W
- Input voltage: 100V
- Sensitivity: 89±3dB
- Frequency response: 100~20 kHz
- Constant resistance(8Ω): 30W
- S.P.L (1m/30W): 101dB
- Horn specifications: woofer 5" x1 + 1" tweeter x1
- Dispersion Angle (1kHz/-6dB): 115°
- Dimensions: 184 x 165 x 249 (mm)
- Material: HIPS
- Weight: 2.52 kg
- Grille: Powder Coated Iron Mesh
- Color: White/Black
- Operating Temperature: -25°C to + 55°C
- Storage Temperature: -40°C to +70°C
- Relative Humidity: < 95%