



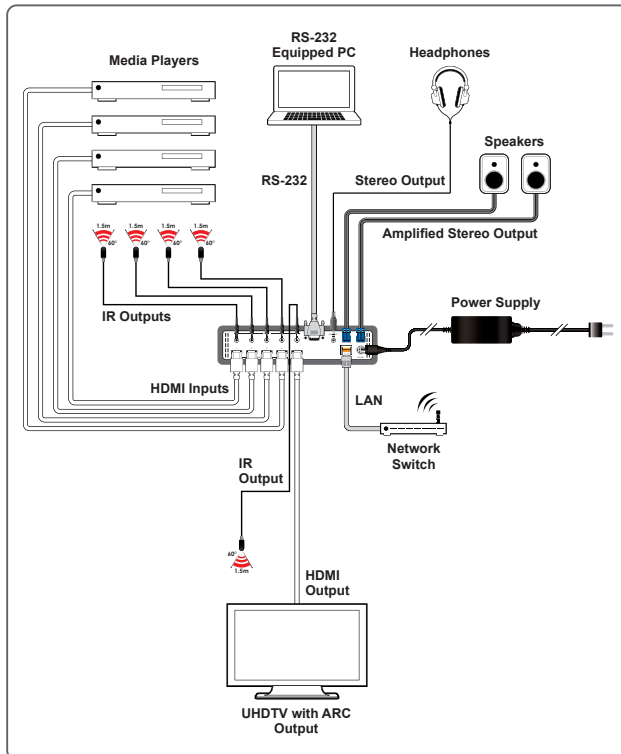
This 4x1 HDMI switch with Stereo Amplifier provides high performance audio and video support, including HDR and ARC, making it ideally suited residential or corporate installations. Any of four high-bandwidth (18Gbps) HDMI sources may be routed with local HDMI output with support for automatic input switching. Pass-through of multiple digital audio formats such as LPCM 7.1, Bitstream and advanced HD Bitstream with audio sampling rates up to 192kHz are supported HDMI outputs.

This unit also contains a specialized IR learning and smart-routing functionality. IR codes from each connected source's remote can be learned and then recalled using this unit's dedicated remote control, or the mobile device app. Intelligent IR routing ensures that only the IR signals appropriate to the source being viewed in the current zone are used by the dedicated remote control while the mobile device app provides the ability to send IR commands to control any connected source. IR command sets may also be uploaded or downloaded to/from the unit via XML files. This unit can be controlled in a wide variety of different ways including front panel buttons, RS-232, IR remote, Telnet, WebGUI and a mobile device app.

PANELS



DIAGRAM



FEATURES

- HDMI with HDR, 3D & 4K@60Hz support
- Supports 'Deep Colour' input and output up to 12-bit
- Output, selectable, 4K to 1080p down-scaling/colour space conversion (4:4:4 to 4:2:0)
- Supports the Audio Return Channel (ARC) function to transmit digital audio from an ARC-enabled TV connected to the HDMI output (LPCM 2.0 only)
- Selectable stereo analogue audio breakout mirrored to both amplified (20W per channel) and un-amplified (3.5mm headphone) connections. (LPCM 2.0 only)
- Support for learning IR remote codes for on-demand retransmission
- Advanced EDID management with 8 Internal, 1 external EDIDs copied from connected devices, and 4 custom user provided EDIDs

SPECIFICATIONS

Interfaces

Input Port	4xHDMI (Type-A)
Output Port	1xHDMI (Type-A) 1xAnalogue Stereo (2x2-pin Terminal Block) 1xAnalogue Stereo (3.5mm)
Control I/O	1xRS-232 (DE-9) 1xIP Control (RJ-45)
Bypass Port	5xIR Blaster (3.5mm)

Video

HDMI Compliance	2.0
HDCP Compliance	2.X
Input Signal Type	4096 x 2160p@60 8bit YUV 4:4:4
Output Signal Type	4096 x 2160p@60 8bit YUV 4:4:4

Resolutions

Maximum Input	HDMI	4096x2160p@60
Maximum Output	HDMI	4096x2160p@60

Audio

HDMI	LPCM 8 channel Bitstream High-Definition Bitstream
-------------	---

Line Out	Max Audio Level: 2Vrms Impedance: 10kΩ Type: Unbalanced
-----------------	---

Power

Power Supply	24V/2.7A DC
Power Consumption	12.85W

Enclosure

Chassis Material	Metal (Steel)
Chassis Color	Black
Dimensions (WxHxD)	219mmx43mmx156mm (WxHxD) [Case Only] 219mmx54mmx163.5mm (WxHxD) [All Inclusive]
Weight	1172g

Field Firmware Update

PC Update, WebGUI

ORDERING INFORMATION

Model No.	Product Description
CPLUS-401V	UHD+ 4x1 HDMI Switcher AV Systems