

CPLUS-V32USBC

UHD+ 3x2 Matrix Switcher with USB Ethernet Hub



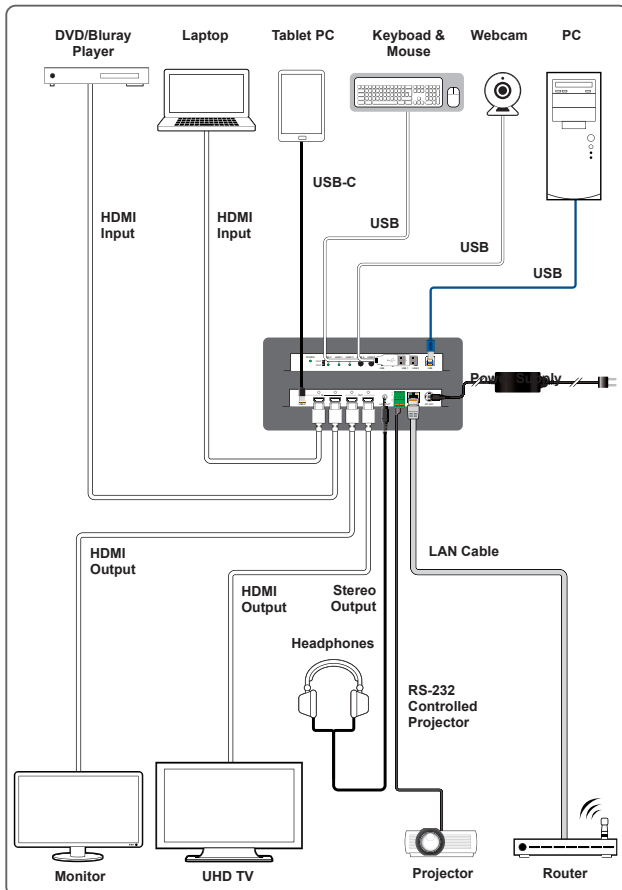
This 3 by 2 matrix switch is designed for use in environments needing a wide range of flexibility when it comes to inputs, outputs, and control. The two most common video input interfaces (HDMI, USB-C) are included along with a pair of HDMI outputs, providing the ultimate in source compatibility and flexibility. This unit is HDCP 2.2 compliant and supports resolutions up to a maximum of 4K@60Hz (4:4:4, 8-bit). The included USB-C input runs on the USB3.0 specs and supports AV, device charging as well as network connection.

This matrix also includes a USB 3.0 hub with two host ports (Type-B and Type-C), plus two device ports (Type-A) for a flexible KVM configuration. It is ideal for use in meeting rooms, classrooms, and audio integration with USB expansion. This unit is controllable via front panel controls, WebGUI, Telnet and RS-232.

PANELS



DIAGRAM



FEATURES

- HDMI Output Port A supports downscale a 4K signal to 1080p@60Hz
- USB-C port supports USB 3.0 speed, device powering 20V/3A and one gigabit Ethernet at best
- Supports pass-through of 8 channel LPCM, bitstream & HD bitstream audio formats
- Supports 4K HDR formats by HDR10, HLG and Dolby Vision.
- The matrixed, dual HDMI outputs can directly feed into two flat-panel displays side-by-side.
- Support USB 3.0 with one USB type B and one USB type C interface for connection to a host PC, plus two USB type A ports for peripheral devices such as keyboard, mouse and storage extension.
- Supports auto-switch functionality with a "last memory" feature for both input ports and USB ports
- Supports basic signal event automation (via RS-232, IP or CEC)

SPECIFICATIONS

Interfaces

Input Port	2 x HDMI (Type-A) 1 x USB (Type-C)
Output Port	2 x HDMI (Type-A) 1 x Stereo Audio (3.5mm)
Control I/O	2 x RS-232 (4-pin Terminal Block) 1 x LAN (RJ-45)
Pass-through Port	2 x USB 3.0 (Type A) with Service function (USB 1 only) 1 x USB 3.0 (Type B)

Video

HDMI Compliance	HDMI 2.0
HDCP Compliance	2.x
Input Signal Type	4096 x 2160p@60 8bit YUV 4:4:4
Output Signal Type	4096 x 2160p@60 8bit YUV 4:4:4

Resolutions

Maximum Input	HDMI	4096x2160p@60
	USB-C	4096x2160p@60
Maximum Output	HDMI	4096x2160p@60

Audio

HDMI	LPCM 2.0 / 5.1 / 7.1 High-Definition Bitstream
Line Out	LPCM 8 channel Bitstream High-Definition Bitstream

Power

Power Supply	DC 24V 6.25A
Power Consumption	67.68W

Enclosure

Chassis Material	Metal (Steel)
Chassis Color	Black
Dimensions (W×H×D)	213.5mm×25mm×108mm [Case Only] 213.5mm×25mm×112.5mm [All Inclusive]
Weight	690g

Field Firmware Update

USB Flash Drive, WebGUI

ORDERING INFORMATION

Model No.	Product Description
CPLUS-V32USBC	UHD+ 3x2 Matrix Switcher with USB Ethernet Hub